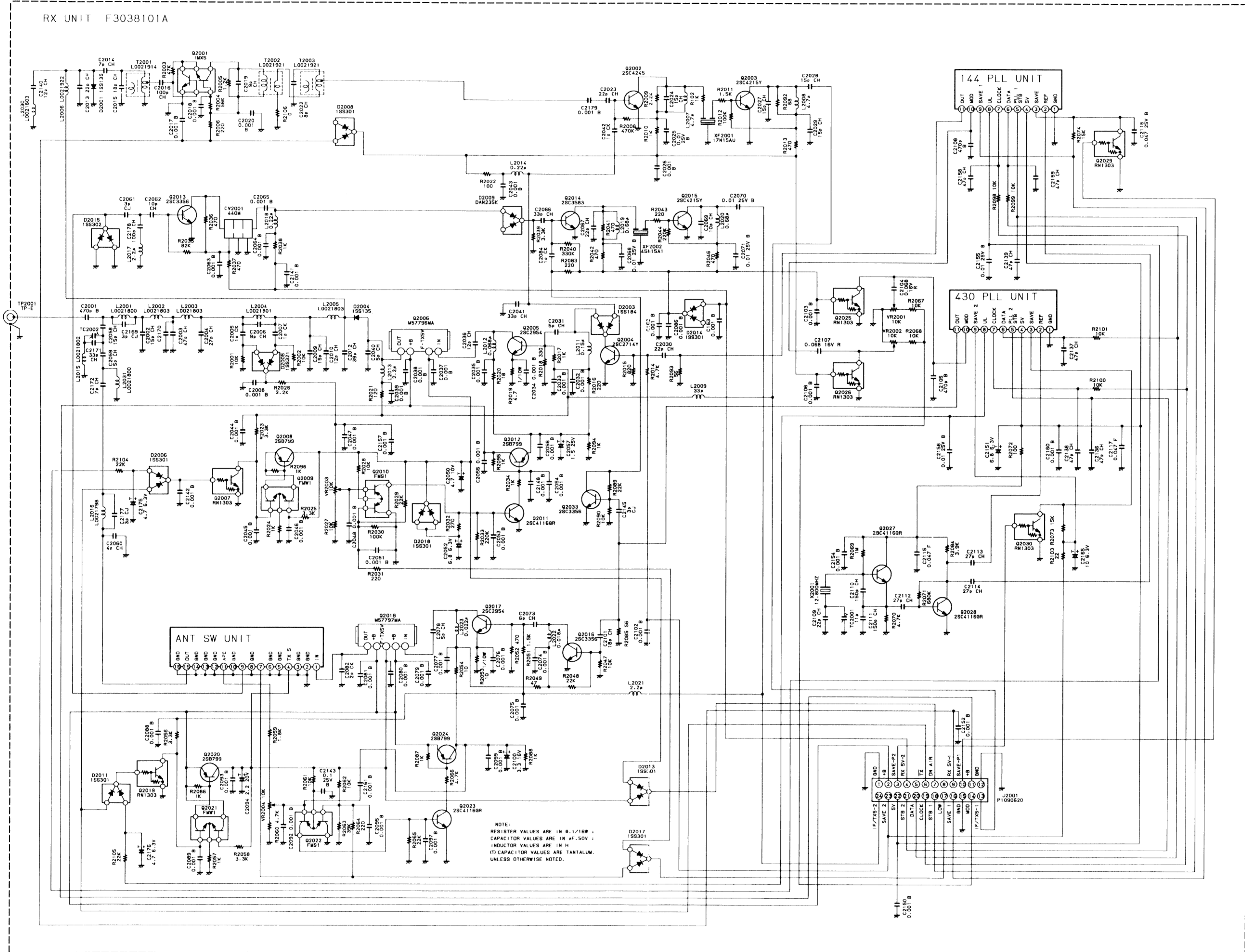
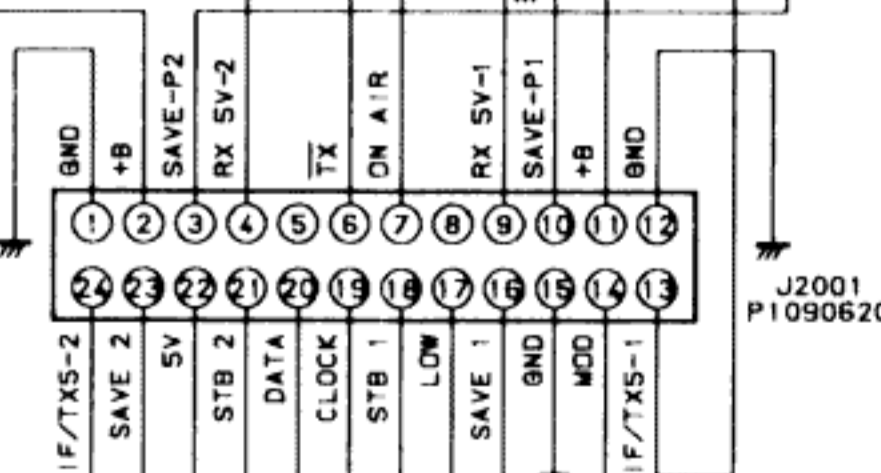
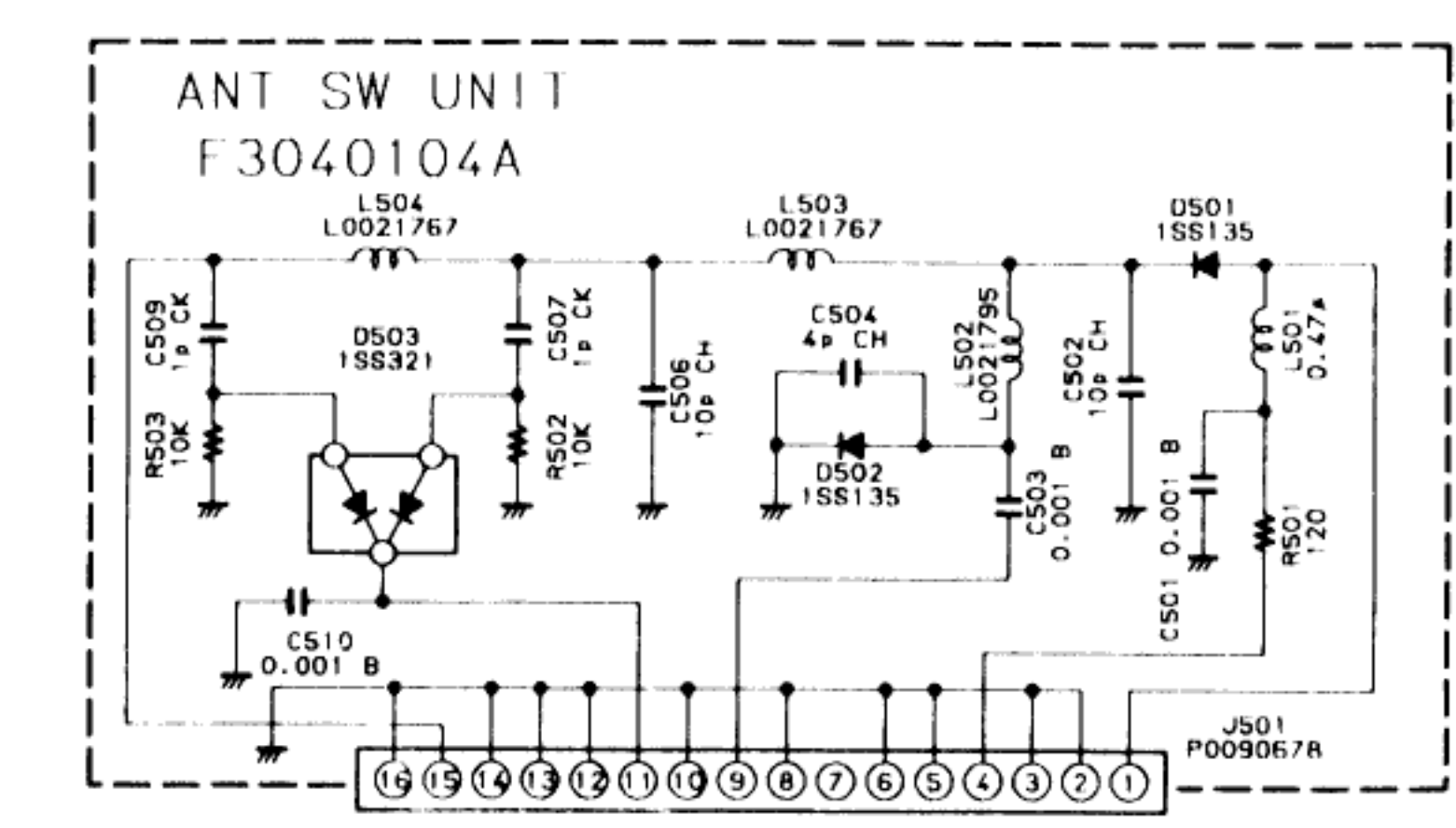
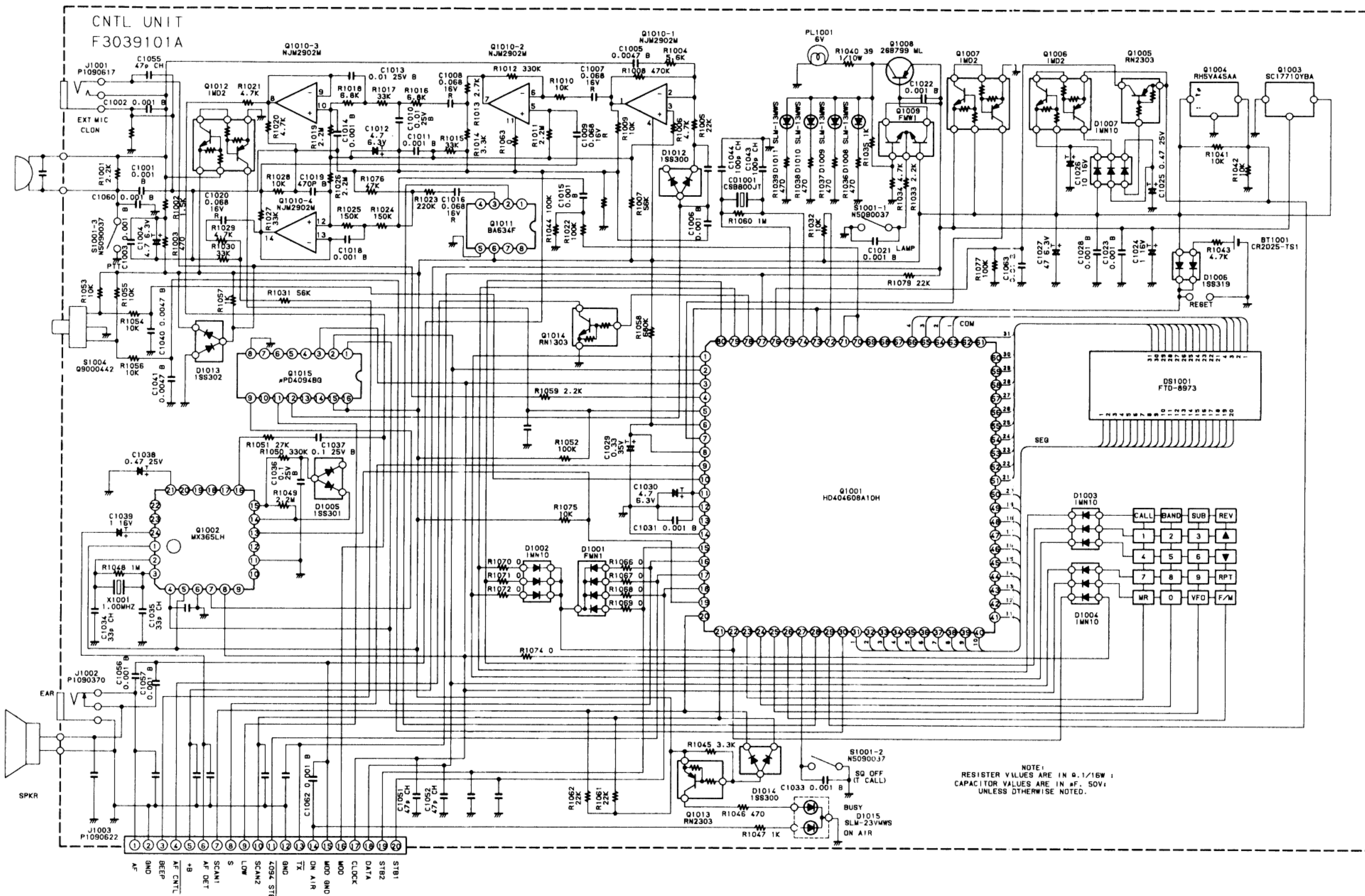


RX UNIT F3038101A



NOTE:
RESISTOR VALUES ARE IN Ω, 1/16W ;
CAPACITOR VALUES ARE IN μF, 50V ;
INDUCTOR VALUES ARE IN H ;
(T) CAPACITOR VALUES ARE TANTALUM.
UNLESS OTHERWISE NOTED.





www.r6-ru4montesecchieta.it
IZ5CCV

